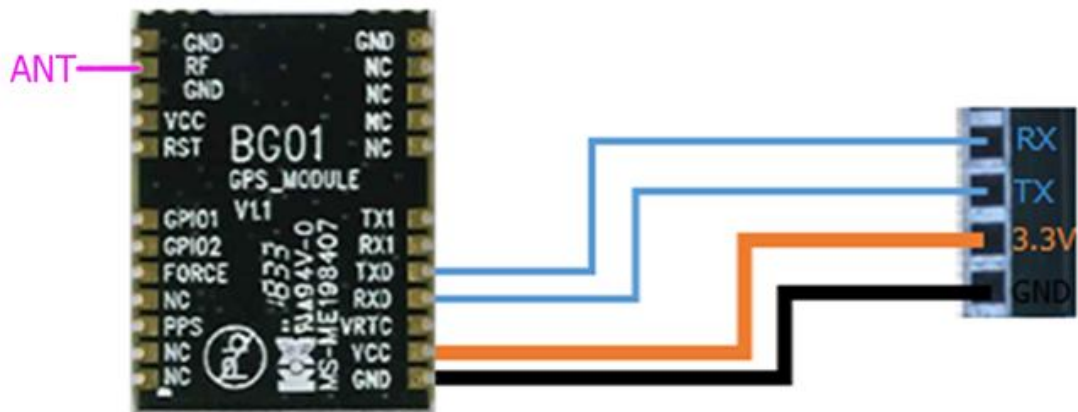


GPS series module Hardware Guidance

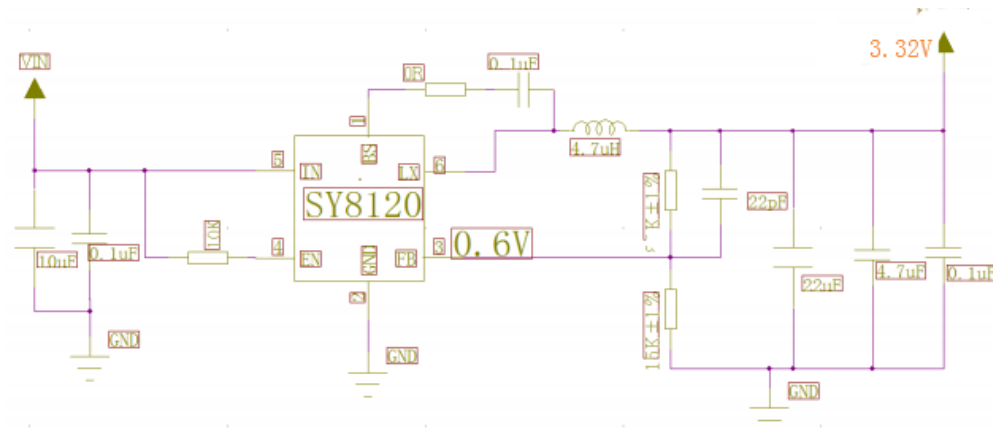
1. Typical application circuit

- 1.1 All of GPIOs are work at 3.3V,
- 1.2 AT command use UART0: RXD、TXD,
band rate 9600bps



2. Power Supply Reference Design

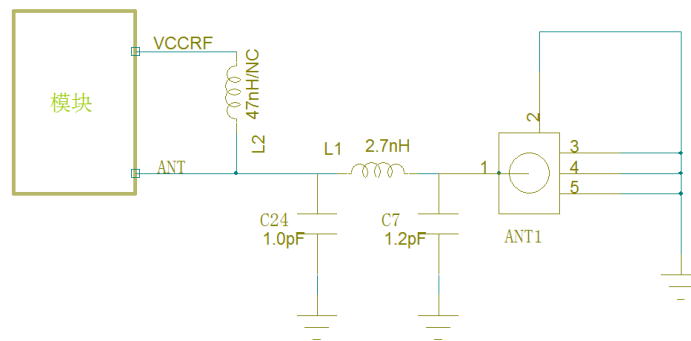
[100mA@3.3V](#) and Ripple is less than 40mV,



3. Module consumption such as the table

mode	Capture current	Tracking current
Consumption	30mA	20mA

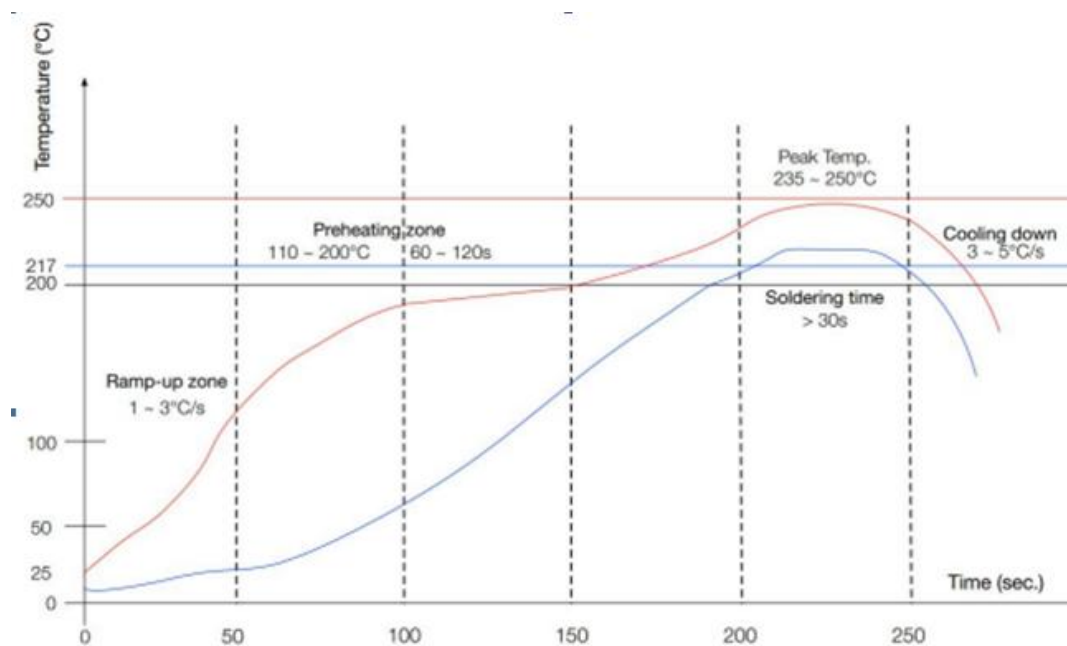
4. Ant circuit Reference Design



5. Hot Start keep circuit Reference Design



6. Recommend Reflow oven temperature curve



Ramp-up zone (升温区): Temp. <150°C, Time 60 - 90s, Ramp-up rate 1 - 3°C/s.
 Preheating zone (预热恒温区): Temp. 150 - 200°C, Time 60 - 120s, Ramp-up rate 0.3 - 0.8°C/s.
 Reflow soldering zone (回流焊接区): Peak Temp. 235 - 250°C (<245°C recommended), Time 30 - 70s.
 Cooling down zone (冷却区): Temp. 217 - 170°C, Ramp-down rate 3 - 5°C/s.
 Sn&Ag&Cu Lead-free solder (SAC305)/焊料为锡银铜合金无铅焊料